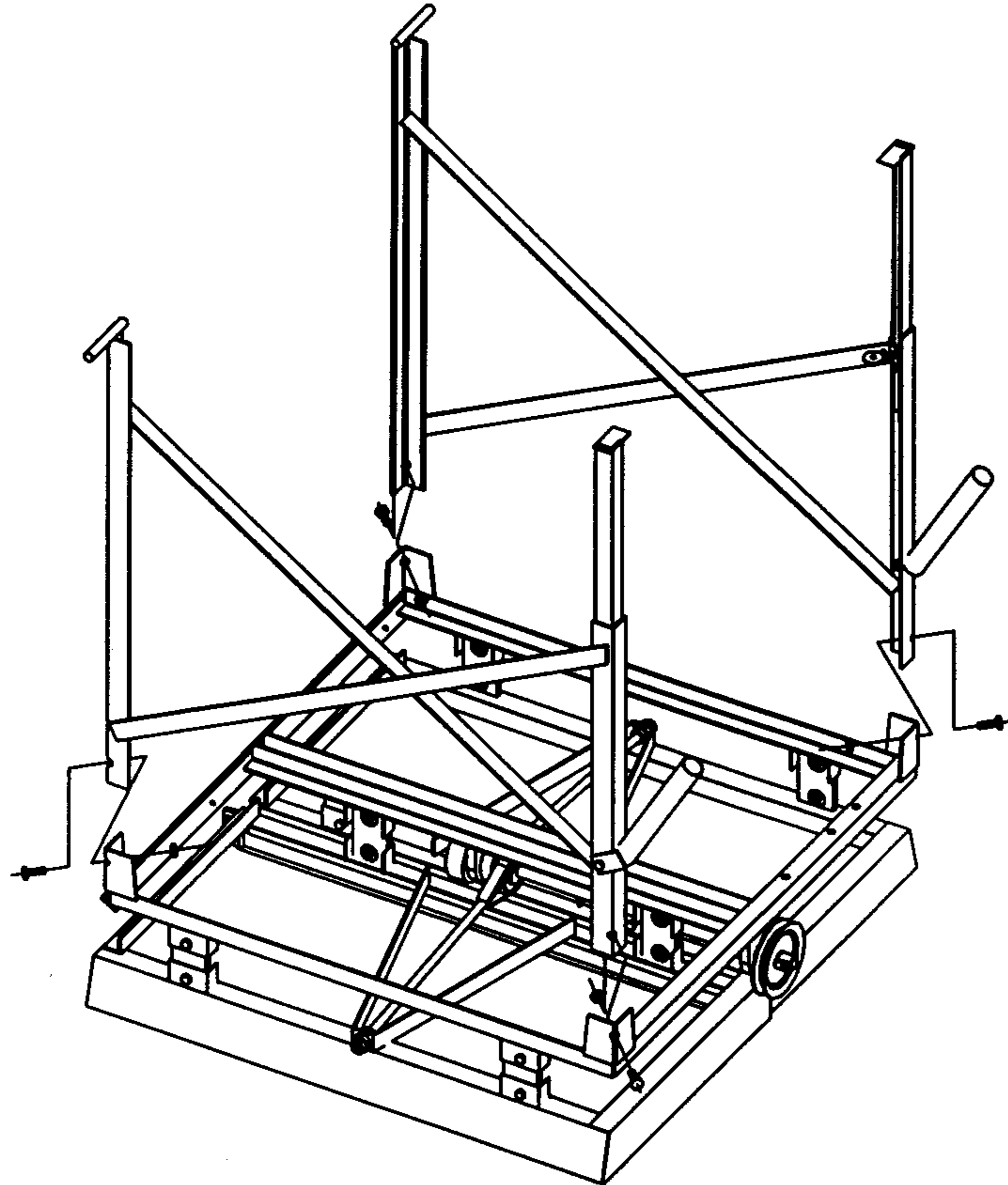
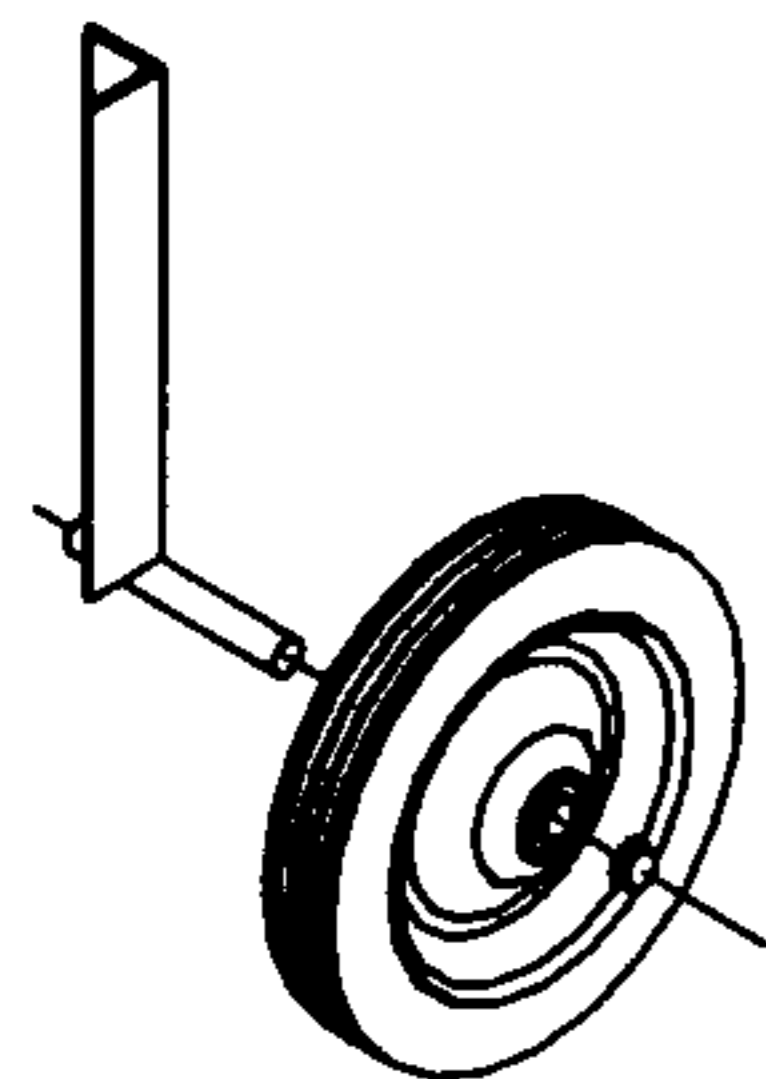


**Assembly Instructions:**

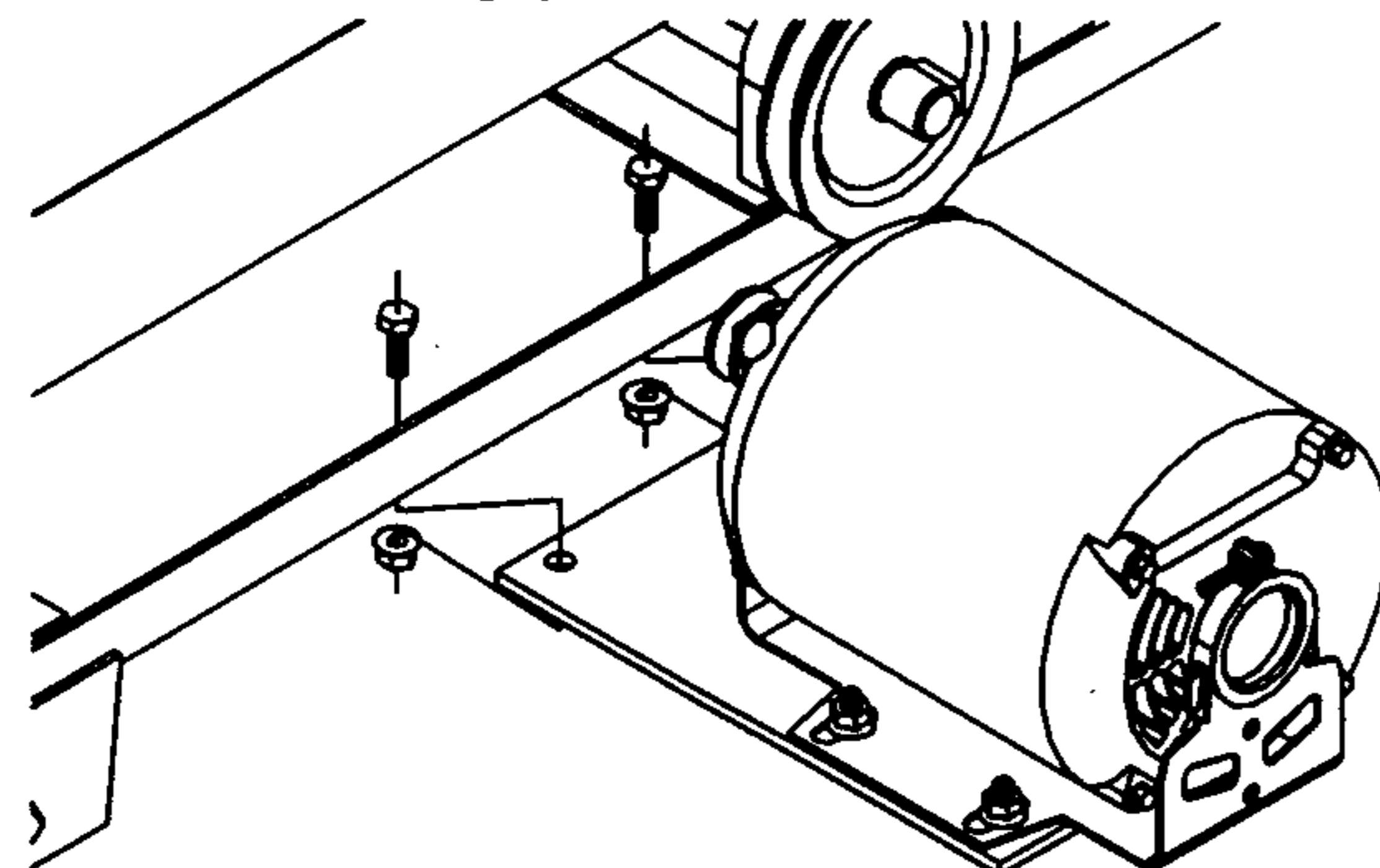
- 1.) Remove legs, gaurds, and extra screens (if any) from box.
- 2.) Fasten Legs to Frame using provided 5/16" Bolts



- 3.) Attach Wheels to Axles using a rubber mallet and Caps

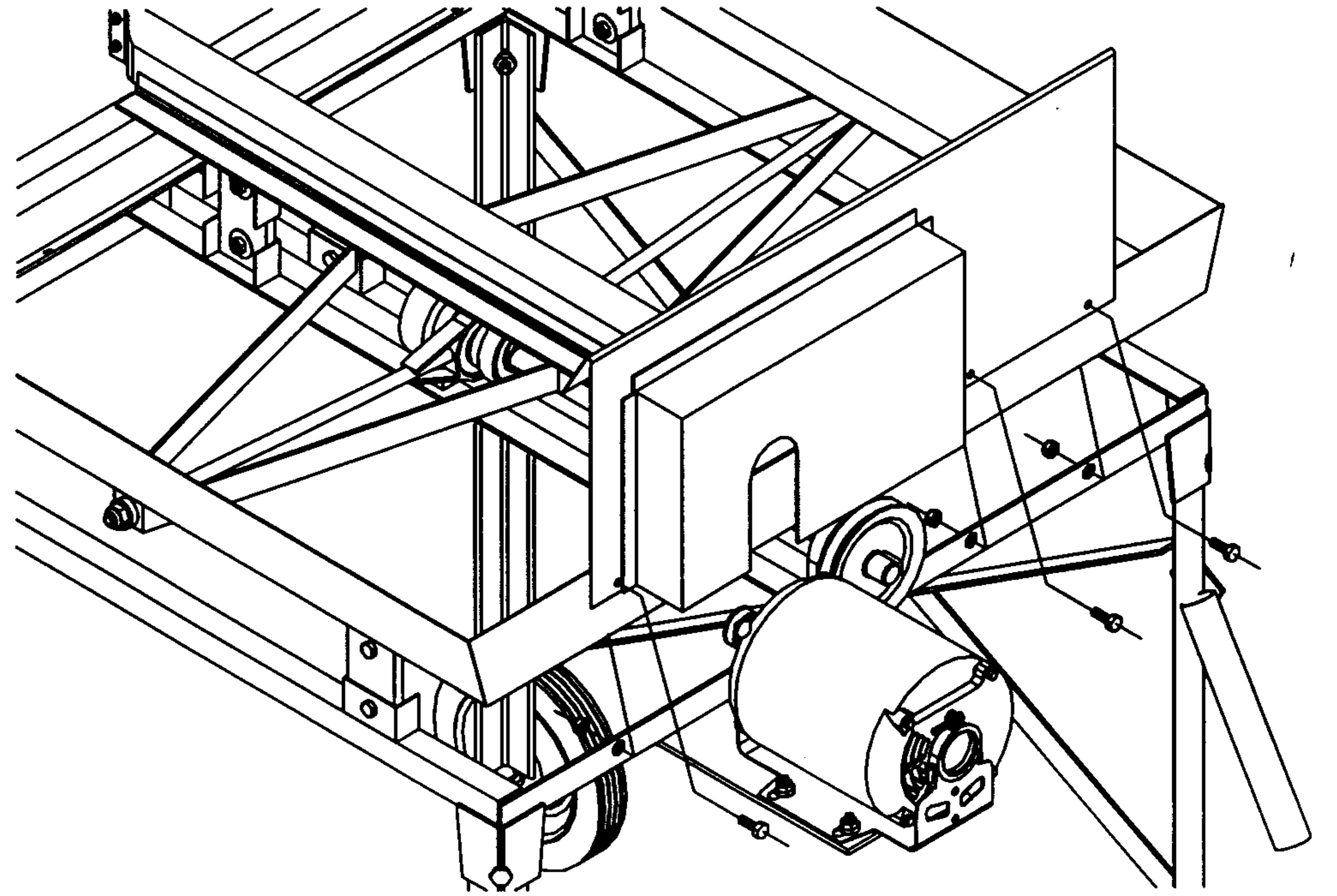


- 4.) Mount Electric Motor to Frame using provided 5/16" Bolts

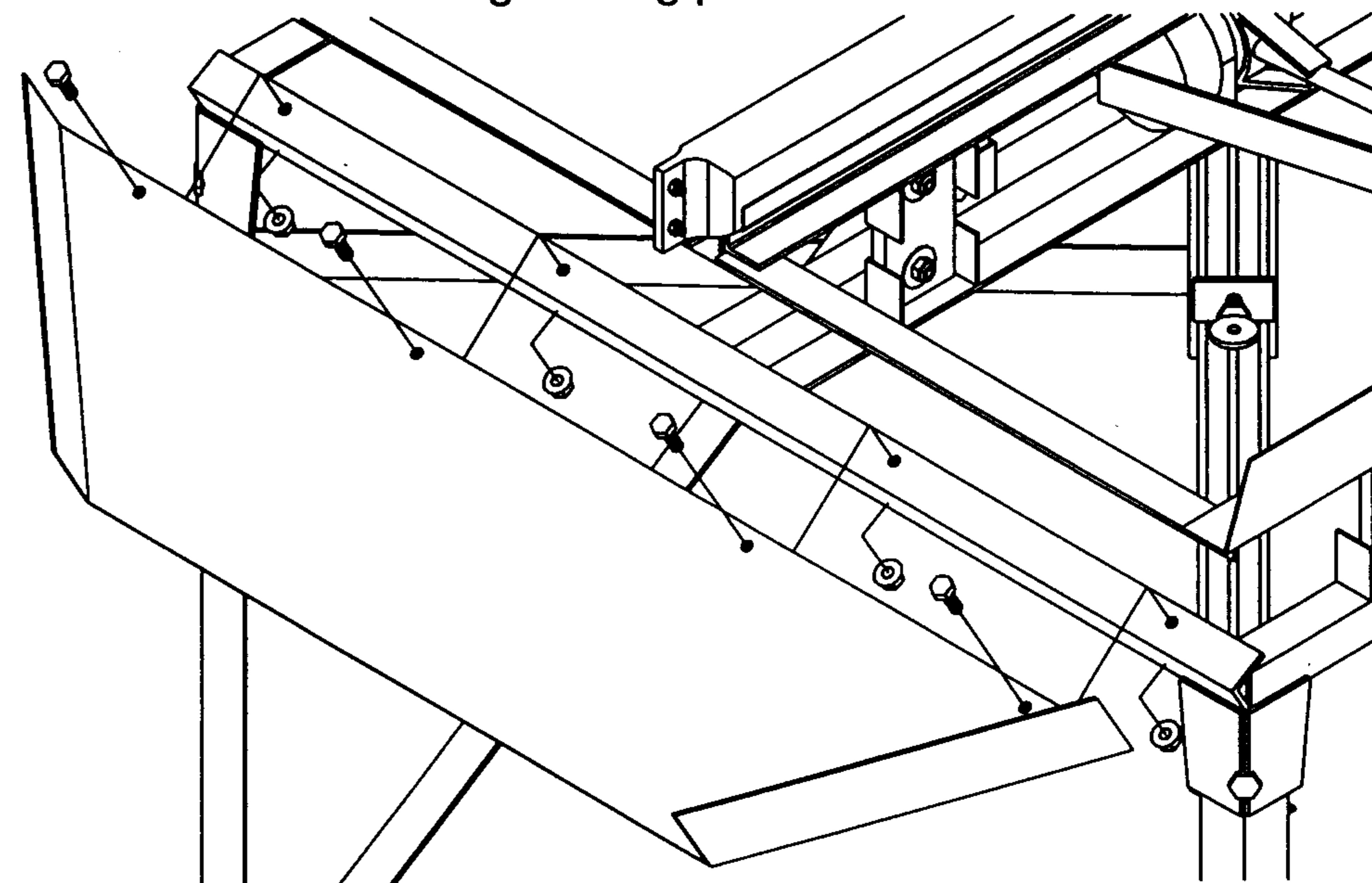


- 5.) Install belt to Pully's Pully's may require alignment

- 6.) Use 5/16" Bolts mounting to motor to Base to tighten Belt
- 7.) Slide Belt Gurad over Pully's and Fasten with provided 1/4"bolts



- 8.) Attach Front Pan to Angle using provided 1/4" bolts



- 9.) Adjust sliding legs by loosening the adjusting bars. Angle screener to allow rocks and debris to roll off